



SCHLAGE

# Residential architectural guide

Rev. 5/15





# Table of contents

## Electronics

### Connected locks

|                                     |   |
|-------------------------------------|---|
| Home automation<br>Schlage Connect™ | 4 |
|-------------------------------------|---|

### Electronic locks

|                                     |     |
|-------------------------------------|-----|
| Schlage Touch™<br>deadbolts & locks | 5   |
| Keypad locks<br>FE285 handlesets    | 6-7 |

### Mechanical locks

|                                   |       |
|-----------------------------------|-------|
| Schlage deadbolts<br>& handlesets | 8-9   |
| Schlage knobs & levers            | 10    |
| Schlage decorative collections    | 11    |
| Schlage J Series                  | 12-13 |

### Multi-family

|  |       |
|--|-------|
| Schlage programmable<br>electronic deadblt | 14    |
| Schlage electronic<br>interconnected lock  | 15    |
| Multi-family readers<br>and credentials    | 16    |
| Mechanical interconnected<br>locks         | 17    |
| Mechanical deadbolts                       | 18-19 |

|                          |       |
|--------------------------|-------|
| <b>Builders hardware</b> | 20-21 |
|--------------------------|-------|



# Residential electronic deadbolts and locksets

## Connected deadbolts & levers



BE469NX  
Camelot (CAM)



BE469NX  
Century (CEN)



BE468NX  
Camelot (CAM)



BE468NX  
Century (CEN)



BE369NX  
Camelot (CAM)



FE599NX  
Camelot x Accent Lever

Schlage connected locks use Z-Wave®, a wireless technology that makes your house smarter, safer, and far more convenient. When these locks are paired with a compatible Z-Wave® home automation system, homeowners can remotely control, manage, and monitor access to their home\*.

### ANSI A156.36-2010 (deadbolt only)

#### BE469NX - Connect™ deadbolt with alarm

- Grade 1
- Autothrow deadbolt is activated from outside by pressing the Schlage button
- Deadbolt automatically retracted from outside by entering valid user code
- Key can be used to unlock as backup
- Built-in Alarm Technology alerts home owners to potential security threats

#### BE468NX - Connect™ deadbolt

- Grade 2
- Autothrow deadbolt is activated from outside by pressing the Schlage button
- Key can be used to unlock as backup

### ANSI A156.2-2003

#### FE599NX - Connected keypad lever

- Grade 2
- Locks manually operated from outside after entering valid user code

### ANSI A156.36-2010

#### BE369NX - Connected keypad deadbolt

- Grade 2
- Locks manually operated from outside after entering valid user code

\*Home automation features are dependent upon the system provider  
Z-Wave is a registered trademark of Zensys Inc, and/or its subsidiaries

## Finishes

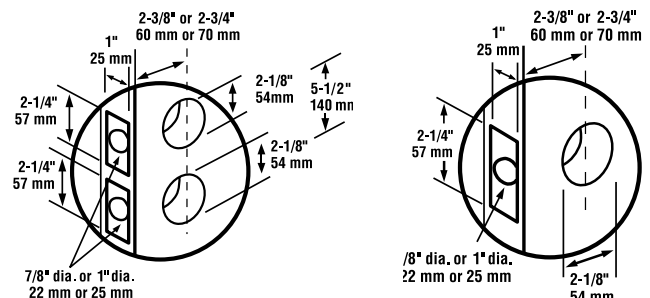
| Function               | 605 | 608 | 609 | 613 | 618 | 619 | 620 | 622 | 625 | 626 | 716 |
|------------------------|-----|-----|-----|-----|-----|-----|-----|-----|-----|-----|-----|
| BE469 Camelot          | ▪   |     |     |     |     |     |     |     | ▪   |     | ▪   |
| BE469 Century          |     |     |     |     |     |     |     | ▪   | ▪   | ▪   | ▪   |
| BE468 Camelot          | ▪   |     |     |     |     |     |     |     | ▪   |     | ▪   |
| BE468 Century          |     |     |     |     |     |     |     | ▪   | ▪   | ▪   | ▪   |
| BE369 Camelot          | ▪   |     |     |     |     |     |     |     |     |     | ▪   |
| FE599 Camelot x Accent | ▪   |     |     |     |     |     |     |     |     |     | ▪   |

## Standard features / configurations

|                                    | Connect™ deadbolt BE469NX   | Connected keypad deadbolt BE369NX  | Connected keypad lever FE599NX  |
|------------------------------------|---|--|---|
| <b>Certification:</b>              | ANSI A156.36-2010 Grade 1   | ANSI A156.36-2010 Grade 2  | ANSI A156.2-2003 Grade 2  |
| <b>Backset:</b>                    | 2 <sup>3</sup> / <sub>8</sub> " or 2 <sup>3</sup> / <sub>4</sub> "  | 2 <sup>3</sup> / <sub>8</sub> " or 2 <sup>3</sup> / <sub>4</sub> "   | 2 <sup>3</sup> / <sub>8</sub> " or 2 <sup>3</sup> / <sub>4</sub> "  |
| <b>Strike:</b>                     | 1 <sup>1</sup> / <sub>8</sub> " x 2 <sup>3</sup> / <sub>4</sub> " round corners, strike reinforcer  | 1 <sup>1</sup> / <sub>8</sub> " x 2 <sup>3</sup> / <sub>4</sub> " round corners, strike reinforcer   | 1 <sup>5</sup> / <sub>8</sub> " x 2 <sup>1</sup> / <sub>4</sub> " radius corner, full lip, latch strike   |
| <b>Key &amp; cylinder:</b>         | 1 key, 5-pin, C keyway  | 2 keys, 5-pin, C keyway  | 2 keys, 5-pin, C keyway   |
| <b>Door thickness:</b>             | 1 <sup>3</sup> / <sub>8</sub> " to 1 <sup>3</sup> / <sub>4</sub> "; thick door kit extends 1 <sup>7</sup> / <sub>8</sub> " to 2 <sup>1</sup> / <sub>2</sub> " | 1 <sup>3</sup> / <sub>8</sub> " to 1 <sup>3</sup> / <sub>4</sub> "   | 1 <sup>3</sup> / <sub>8</sub> " to 1 <sup>3</sup> / <sub>4</sub> "  |
| <b>Product dimensions: (wxhxd)</b> | ext: 3" x 4 <sup>3</sup> / <sub>4</sub> " x 1"<br>int: 3" x 8" x 2"   | ext: 3 <sup>1</sup> / <sub>8</sub> " x 5 <sup>1</sup> / <sub>2</sub> " x 2 <sup>1</sup> / <sub>8</sub> "<br>int: 3 <sup>1</sup> / <sub>4</sub> " x 7 <sup>1</sup> / <sub>2</sub> " x 2 <sup>1</sup> / <sub>4</sub> " | ext: 6 <sup>7</sup> / <sub>8</sub> " x 3" x 2 <sup>3</sup> / <sub>4</sub> "<br>int: 3 <sup>1</sup> / <sub>4</sub> " x 8 <sup>1</sup> / <sub>4</sub> " x 2 <sup>3</sup> / <sub>4</sub> " |
| <b>Communications:</b>             | 900 MHz (Z-Wave® RF)**  | 900 MHz (Z-Wave® RF)**   | 900 MHz (Z-Wave® RF)**  |
| <b>Operating temps:</b>            | Ext: -35C to 66C<br>Int: -10C to 49C  | Ext: -30C to 66C<br>Int: -10C to 49C   | Ext: -30C to 66C<br>Int: -10C to 49C  |
| <b>Battery:</b>                    | 4 AA  | 9V, 3AA  | 9V, 4AA   |
| <b>Codes:</b>                      | Pre-set, unique 6-digit programming code, 2 pre-set unique 4-digit user codes, 30 user code capacity (4-8 digits)   | Pre-set, unique 6-digit programming code, 2 pre-set unique 4-digit user codes, 19 code capacity  | Pre-set, unique 6-digit programming code, 2 pre-set unique 4-digit user codes, 19 code capacity   |

\*\* Z-Wave is a registered trademark of Zensys Inc, and/or its subsidiaries.  
Warranty: 3 year electronics, limited lifetime mechanical and finish

## Door preparation





## Residential electronic deadbolts and locksets

### BE Series Schlage Touch™ non-connected deadbolts



BE375 Series  
Camelot



BE375 Series  
Century

### BE-Series Schlage Touch™ deadbolts

#### Finishes available

| Function | Style/Design | 605 | 608 | 609 | 618 | 619 | 625 | 626 | 505 | 716 | 613 | 620 | 621 | 622 |
|----------|--------------|-----|-----|-----|-----|-----|-----|-----|-----|-----|-----|-----|-----|-----|
| BE375    | Camelot      | ▪   |     | ▪   |     | ▪   | ▪   | ▪   |     | ▪   |     |     |     | ▪   |
| BE375    | Century      |     |     |     |     | ▪   | ▪   | ▪   |     | ▪   |     |     |     | ▪   |

### FE Series Schlage Touch™ non-connected levers



FE695 Series  
Camelot x Accent



FE695 Series  
Camelot x Flair



FE695 Series  
Century x Broadway



FE695 Series  
Century x Latitude



FE695 Series  
Century x Merano

### FE-Series Schlage Touch™ lever locks

#### Finishes available

| Function               | Style/Design       | 605 | 608 | 609 | 618 | 619 | 625 | 626 | 505 | 716 | 613 | 620 | 621 | 622 |  |
|------------------------|--------------------|-----|-----|-----|-----|-----|-----|-----|-----|-----|-----|-----|-----|-----|--|
| <b>(CAM) Camelot x</b> |                    |     |     |     |     |     |     |     |     |     |     |     |     |     |  |
| FE695                  | Camelot x Accent   | ▪   |     | ▪   |     | ▪   | ▪   | ▪   |     | ▪   |     |     |     | ▪   |  |
| FE695                  | Camelot x Flair    | ▪   |     | ▪   |     | ▪   | ▪   | ▪   |     | ▪   |     |     |     | ▪   |  |
| <b>(CEN) Century x</b> |                    |     |     |     |     |     |     |     |     |     |     |     |     |     |  |
| FE695                  | Century x Broadway |     |     |     |     | ▪   | ▪   | ▪   |     | ▪   |     |     |     | ▪   |  |
| FE695                  | Century x Elan     |     |     |     |     |     |     | ▪   |     |     |     |     |     |     |  |
| FE695                  | Century x Latitude |     |     |     |     | ▪   | ▪   | ▪   |     | ▪   |     |     |     | ▪   |  |
| FE695                  | Century x Merano   |     |     |     |     | ▪   | ▪   | ▪   |     | ▪   |     |     |     | ▪   |  |

With Schlage Touch™, no key means there's nothing to lose, nothing to fiddle with, and—for intruders—nothing to pick. All in a slim profile that's every bit as sleek as it is strong

**ANSI/BHMA Grade 2  
Schlage Touch™ Locks**

**BE375 – Touchscreen deadbolt**

- Deadbolt retracted by entering valid user code then rotating outside thumbturn, or by inside thumb turn
- Deadbolt thrown by using outside thumbturn after pressing Schlage button, or by inside thumbturn

**FE695 – Touchscreen lever**

- Unlocked by valid user code from outside
- Inside knob or lever always unlocked
- Flex Lock: adjust inside thumb turn to keep door locked or unlocked

**Latches and strikes**

**FE Keypad levers**

**Latches**

|        |   |
|--------|---|
| 16-086 | Dual option (round, drive in) STANDARD  |
| 16-207 | Square corner                           |
| 16-211 | Triple option (round, square, drive in) |
| 16-203 | UL Listed square corner with firecup    |
| 16-204 | UL Listed round corner with firecup     |

**Strikes**

|        |  |
|--------|--|
| 10-027 | Round corner full lip - STANDARD       |
| 10-001 | Square corner T Strike                 |
| 10-026 | Square corner full lip                 |
| 10-058 | Circular adjustable                    |
| 10-063 | Dual strikes (round & square full lip) |
| 10-025 | ANSI square corner                     |

**BE Keypad deadbolts**

**Latches**

|        |   |
|--------|---|
| 12-321 | Dual option (round, drive in) STANDARD  |
| 12-288 | Square corner                           |
| 12-287 | Triple option (round, square, drive in) |
| 12-294 | UL Listed square corner with firecup    |
| 12-397 | UL Listed round corner with firecup     |

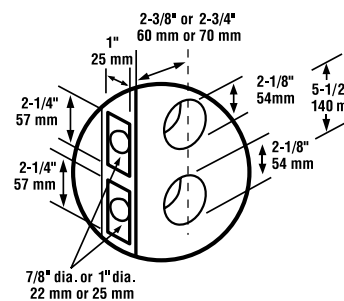
**Strikes**

|        |  |
|--------|--|
| 10-116 | Round corner strike with reinforcer - STANDARD |
| 10-092 | Round corner full lip strike                   |
| 10-094 | Square corner strike with reinforcer           |

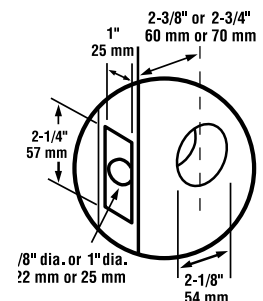
**Standard features / configurations**

|  | Schlage Touch™<br>electronic deadbolt<br>BE375  | Schlage Touch™<br>electronic lever<br>FE695   |
|--|---|---|
| <b>Certification</b>                           | ANSI/BHMA Grade 2   | ANSI/BHMA Grade 2   |
| <b>Product dimensions (inches) (w x h x d)</b> | 3 x 5.4 x 5.2   | 3 x 5.4 x 7.9   |
| <b>Weight</b>                                  | 3.4 lbs   | 4.5 lbs   |
| <b>Warranty</b>                                | 3 year electronics, limited lifetime mechanical and finish  | 3 year electronics, limited lifetime mechanical and finish  |
| <b>Battery</b>                                 | 9V battery (1)  | 9V battery (1)  |
| <b>Latch throw</b>                             | 1"  | 1/2"throw, 7/8" housing diameter  |
| <b>Cylinder</b>                                | None  | None  |
| <b>Door thickness</b>                          | 1 3/8" to 1 3/4"<br>thick door kit extends<br>1 7/8" to 2 1/2"  | 1 3/8" to 1 3/4"<br>no thick door kit   |
| <b>Cross bore</b>                              | 2 1/8"  | 2 1/8"  |
| <b>Latch faceplate size</b>                    | 1" x 2 1/4" Dual Option - Round Corner + Drive-in   | 1" x 2 1/4" Dual Option - Round Corner + Drive-in   |
| <b>Latch/backset</b>                           | 2 3/8" OR 2 3/4" adjustable   | 2 3/8" OR 2 3/4" adjustable   |
| <b>Latch faceplate options</b>                 | Deadbolt latch, round, square & drive-in  | Dead latch, round, square & drive-in  |
| <b>Strike</b>                                  | 1 1/8" x 2 3/4" round corners, strike reinforce   | 1 5/8" x 2 1/4", round corner, full lip latch strikes   |
| <b>Keys</b>                                    | None  | None  |
| <b>Codes</b>                                   | 2 pre-set unique 4-digit user codes, storage of up to 19 user codes                                   | 2 pre-set unique 4-digit user codes, storage of up to 19 user codes                                   |
| <b>Operating temperatures</b>                  | Outside lock body (exterior mounted): -35C to 66C<br>Inside lock body (interior mounted): -10C to 50C | Outside lock body (exterior mounted): -35C to 66C<br>Inside lock body (interior mounted): -10C to 50C |

**Door preparation**



BE375



FE695





# Residential electronic deadbolts and locksets

## BE and FE Series Keypad deadbolt



### Convenient. Secure. Stylish.

Experience keyless freedom with Schlage keypad locks, revolutionary products that bring security to a new level. Our keypad locks combine the convenience of keyless entry with the superior quality you expect from Schlage.

### Security and quality

- Grade 2 ANSI/BHMA certified
- Patented commercial-grade clutching motor drive; tested to one million cycles
- Vandal-resistant, free-spinning deadbolt turn and clutching knob/lever design
- Code control; 6-digit programming code required to add and delete user codes
- Warning sounds after four incorrect codes entered; keypad disabled for 30 seconds
- Mechanical key override; patent pending

### Convenience

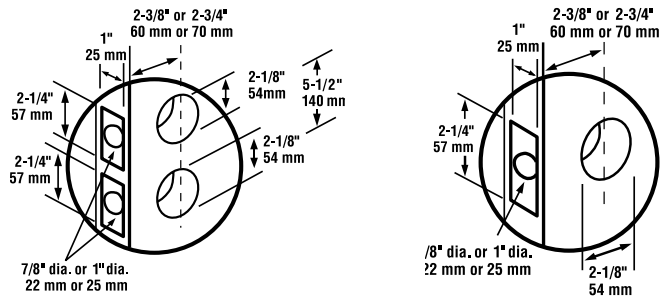
- Convenient keyless access; no keys to hide, lose or forget
- Fits standard door prep; no additional mounting holes required
- Pre-set with random 6-digit programming code and two random 4-digit user codes; no programming required
- 19-user code capacity; 10,000 user code combinations
- Easily programmed right at the keypad; no need to remove inside escutcheon
- Blue LEDs illuminate the keypad on demand for evening use
- Locks can be re-keyed to match existing locks
- 9-volt alkaline battery included, low battery warning and average 3-year life
- Easy access to replace battery
- FE595 model with Flex-lock feature easily switches between lock and passage modes
- FE575 model with Auto-lock feature locks automatically

### Specifications

|                      |  |
|----------------------|--|
| <b>Applications:</b> | Residential single- and multi-family doors   |
| <b>Keying:</b>       | 5-pin tumbler with two keys per lock; stock locks are keyed 5-pin  |
| <b>Door range:</b>   | 1 <sup>3</sup> / <sub>8</sub> " to 1 <sup>3</sup> / <sub>4</sub> " thick (35mm - 44mm) standard; thick door kit available on BE365 |
| <b>Backset:</b>      | Universal latches and deadbolts fit 2 <sup>3</sup> / <sub>8</sub> " (60 mm) or 2 <sup>3</sup> / <sub>4</sub> " (70 mm) backsets    |

**Warranty:** 3 year electronics, limited lifetime mechanical and finish

### Door preparation



### Finishes

| Function       | 605 | 608 | 609 | 613 | 618 | 619 | 620 | 622 | 625 | 626 | 716 |
|----------------|-----|-----|-----|-----|-----|-----|-----|-----|-----|-----|-----|
| BE365 Camelot  | ■   | ■   | ■   | ■   | ■   | ■   | ■   | ■   | ■   | ■   | ■   |
| BE365 Plymouth | ■   | ■   | ■   | ■   | ■   | ■   | ■   | ■   | ■   | ■   | ■   |
| FE285 Camelot  | ■   | ■   | ■   | ■   | ■   | ■   | ■   | ■   | ■   | ■   | ■   |
| FE285 Plymouth | ■   | ■   | ■   | ■   | ■   | ■   | ■   | ■   | ■   | ■   | ■   |

FE285 available in standard handleset and knob and lever finish options, see page 9 & 10.

# BE Series and FE Series residential keypad deadbolts and locksets

## Keypad entry lock



FE595 Series  
Camelot x Accent lever



FE595 Series  
Plymouth x Flair lever



FE595 Series  
Plymouth x Plymouth knob



FE595 Series  
Camelot x Georgian knob



FE575 Series  
Camelot x Accent lever



FE575 Series  
Plymouth x Elan lever



FE575 Series  
Plymouth x Plymouth Knob

### FE595 - Keypad Entry with Flex-Lock

- Flex-locking, switch between unlocked or automatic re-locking
- Unlocked by valid user code from outside
- Inside knob or lever always unlocked
- Key can be used to unlock as back-up

### FE575 - Keypad Entry with Auto-Lock

- Auto-locking, automatically re-locks after 5 seconds
- Unlocked by valid user code from outside
- Inside knob or lever always unlocked
- Key can be used to unlock as back-up

### General:

- Minimum 5 1/2" (140mm) center-to-center distance between cross bore holes
- 9-volt battery included with average three-year battery life
- Silicone rubber, wear-resistant buttons with LED backlight
- ANSI A 156.5-2001 Grade 2 auxiliary locks, ANSI A 156.2-2003 bored locks and latches
- FCC Part 15
- CE mark
- BE365 and FE285 available UL Listed (box pack only)

### Standard features / configurations

|                              |  |
|------------------------------|--|
| <b>Warranty</b>              | Limited lifetime mechanical and finish warranty, 3 year electronics warranty   |
| <b>Keypad lock latch</b>     | 1" x 2 1/4" (25mm x 57mm) latch with radius corner faceplate, 7/8" (22mm) housing diameter, 1/2" (13mm) throw spring latch with square corner and circular drive-in faceplates   |
| <b>Keypad deadbolt latch</b> | 1" x 2 1/4" (25mm x 57mm) radius corner faceplate, 1" (25mm) housing diameter, requires 1" (25mm) edge bore, 1" (25mm) throw with square corner and circular drive-in faceplates |
| <b>Latch strikes</b>         | 1 5/8" x 2 1/4" (41mm x 57mm), square and radius corner, full lip  |
| <b>Deadbolt strike</b>       | 2 3/4" (70mm), round corner, latch strike, metal strike reinforcer   |
| <b>Cylinder</b>              | 5-pin solid brass, keyed 5-pin, C keyway, keyed different (KD)   |

### Finishes

| BE and FE Series          | 605 | 608 | 609 | 613 | 618 | 619 | 620 | 622 | 625 | 626 | 716 |
|---------------------------|-----|-----|-----|-----|-----|-----|-----|-----|-----|-----|-----|
| BE365 Camelot             | ■   | ■   | ■   | ■   | ■   | ■   | ■   | ■   | ■   | ■   | ■   |
| BE365 Plymouth            | ■   | ■   | ■   | ■   | ■   | ■   | ■   | ■   | ■   | ■   | ■   |
| FE595 Camelot x Accent    | ■   | ■   | ■   | ■   | ■   | ■   | ■   | ■   | ■   | ■   | ■   |
| FE595 Camelot x Georgian  | ■   | ■   | ■   | ■   | ■   | ■   | ■   | ■   | ■   | ■   | ■   |
| FE595 Plymouth x Flair    | ■   | ■   | ■   | ■   | ■   | ■   | ■   | ■   | ■   | ■   | ■   |
| FE595 Plymouth x Plymouth | ■   | ■   | ■   | ■   | ■   | ■   | ■   | ■   | ■   | ■   | ■   |
| FE575 Camelot x Accent    | ■   | ■   | ■   | ■   | ■   | ■   | ■   | ■   | ■   | ■   | ■   |
| FE575 Plymouth x Flair    | ■   | ■   | ■   | ■   | ■   | ■   | ■   | ■   | ■   | ■   | ■   |
| FE575 Plymouth x Elan     | ■   | ■   | ■   | ■   | ■   | ■   | ■   | ■   | ■   | ■   | ■   |
| FE575 Plymouth x Jazz     | ■   | ■   | ■   | ■   | ■   | ■   | ■   | ■   | ■   | ■   | ■   |
| FE575 Plymouth x Plymouth | ■   | ■   | ■   | ■   | ■   | ■   | ■   | ■   | ■   | ■   | ■   |



## B Series mechanical deadbolts



### B60, B62R Series

Grade 1 for high-traffic residential or commercial use.

Shown: B60 single cylinder



#### Standard features

- Extra security with a full 1" (25mm) throw deadbolt with a concealed hardened steel roller to prevent cutting or sawing the bolt
- 5-minute, 3-step installation
- Anti-pick shield protects against hammer and crow bar attacks
- Available in single and double cylinder
- Available with full-sized interchangeable core (B60R, B62R)
- Limited lifetime mechanical and finish

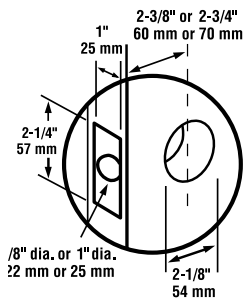
#### Specifications

|                       |  |
|-----------------------|--|
| <b>Certifications</b> | Exceeds ANSI/BHMA certified A156.5 - 2001, Grade 1, UL Listed for 3-hour fire door (Grade 2 with FSIC)             |
| <b>Applications</b>   | Medium-traffic deadbolt, Grade 1 residential or commercial, exterior, new construction and retrofit applications   |
| <b>Deadbolt</b>       | 1" x 2 1/4" (25mm x 57mm), square and round corner faceplate included, 1" (25mm) housing diameter, 1" (25mm) throw |

#### Finishes

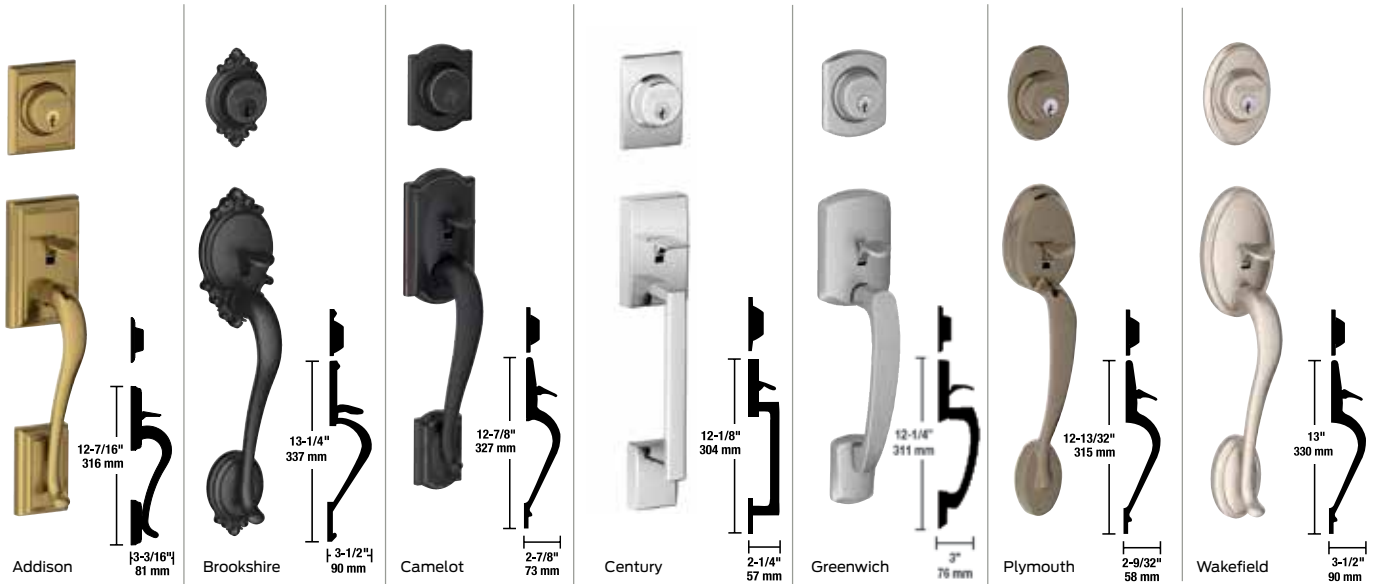
| Series | 505 | 605<br>US3 | 606<br>US4 | 608 | 609<br>US5 | 612<br>US10 | 613<br>US10B | 618 | 619<br>US15 | 620<br>US15A | 621<br>US17A | 622<br>US19 | 625<br>US26 | 626<br>US26D | 643/716<br>US11 |
|--------|-----|------------|------------|-----|------------|-------------|--------------|-----|-------------|--------------|--------------|-------------|-------------|--------------|-----------------|
| B60    | ▪   | ▪          | ▪          | ▪   | ▪          | ▪           | ▪            | ▪   | ▪           | ▪            | ▪            | ▪           | ▪           | ▪            | 716             |
| B62R   | ▪   | ▪          | ▪          | ▪   | ▪          | ▪           | ▪            | ▪   | ▪           | ▪            | ▪            | ▪           | ▪           | ▪            | 716             |

#### Door preparation





# Residential F Series handlesets



## Standard features

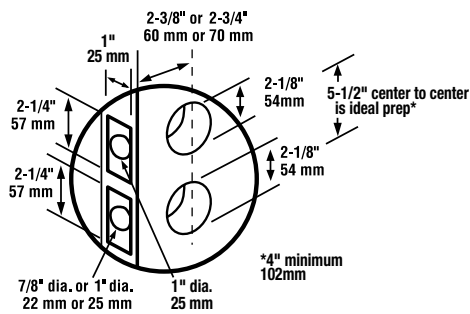
- Grade 1 highest residential security rating
- Limited lifetime mechanical and finish warranty
- Finishes on latches, strikes, and screws match finish on grip handleset
- Adjustable throughbolt can move up and down 1-1/2" to fit a variety of pre-existing holes

## Finishes

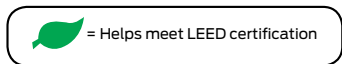
| Handlesets | 605 | 608 | 609 | 613 | 618 | 619 | 620 | 621 | 622 | 625 | 626 | 716 |
|------------|-----|-----|-----|-----|-----|-----|-----|-----|-----|-----|-----|-----|
| Addison    | ■   |     | ■   |     |     | ■   | ■   | ■   | ■   | ■   |     | ■   |
| Brookshire | ■   |     | ■   |     |     | ■   |     |     | ■   |     |     | ■   |
| Camelot    | ■   | ■   | ■   | ■   |     |     | ■   |     | ■   | ■   | ■   | ■   |
| Century    | ■   |     |     |     | ■   |     |     |     | ■   | ■   | ■   | ■   |
| Greenwich  |     |     |     |     | ■   | ■   |     |     | ■   | ■   | ■   | ■   |
| Plymouth   | ■   |     | ■   | ■   |     | ■   | ■   |     | ■   | ■   | ■   | ■   |
| Wakefield  | ■   | ■   | ■   | ■   | ■   | ■   | ■   | ■   | ■   | ■   | ■   | ■   |

## Door preparation

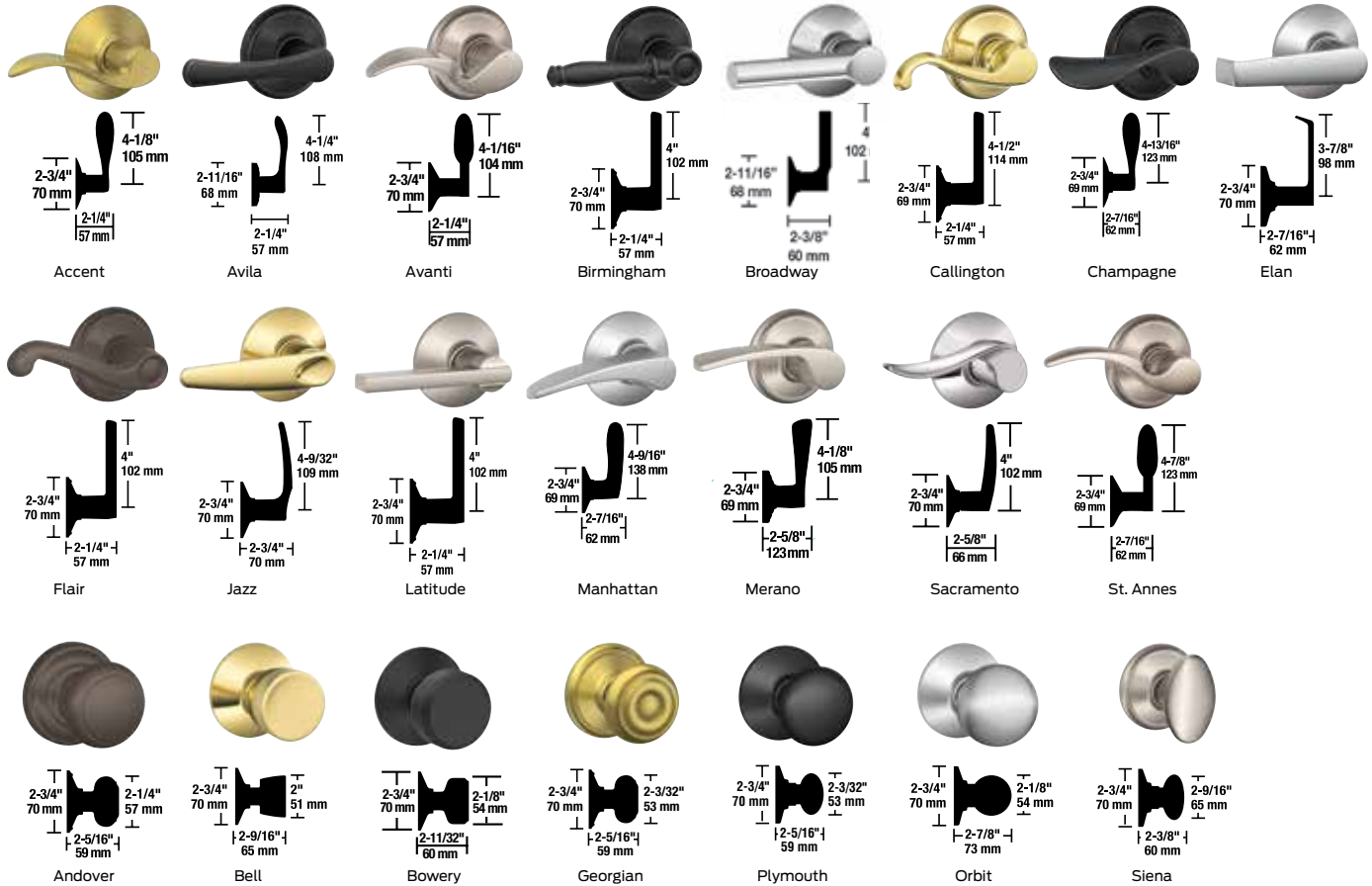
Two piece handleset



## Residential lock finishes



## Residential F Series knobs & levers



### Standard features

- Limited lifetime mechanical and finish warranty
- Field-reversible levers on privacy, passage and keyed functions
- Key-removable outside knobs or levers for easy cylinder replacement
- Meets 400,000 cycle ANSI Grade 2 requirements
- Concealed screws on Andover and Greyson style roses

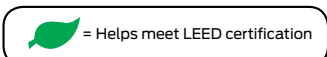
### Latches and strikes

**Latches:** 1" x 2 1/4" (25mm x 57mm), 1/2" (13mm) throw standard. Dual option faceplates, including 1 1/8" (29mm) round corner and circular drive-in, are standard for passage and privacy functions. Square corner faceplates available.

**Strikes:** Full lip, 1/4" (6mm) radius corner, 1 5/8" x 2 1/4" (41mm x 57mm), 1 1/8" (29mm) lip, #10-027, standard. Optional strikes: full lip; square corner; circular drive-in, ANSI 1 1/4" x 4 7/8" (32mm x 124mm), 1 3/16" (30mm) lip. UL Listed locks are furnished with #10-001 T strike, 1 1/8" x 2 3/4" (29mm x 70mm), 1 1/8" (29mm) lip (also available with standard product).

### Specifications

|                       |  |
|-----------------------|--|
| <b>Applications</b>   | Residential single-family and multi-family use   |
| <b>Certifications</b> | ANSI A156.2, 1996, Series 4000 Grade 2. UL Listed locks for 3-hour fire doors are furnished with #10-001 T strike, 1 1/8" x 2 3/4" (29mm x 70mm), 1 1/8" (29mm) lip (also available with standard product). Assembled to order when specified with "F" suffix. Example: F51F |
| <b>Exposed trim</b>   | Levers are plated to match finishes indicated.   |
| <b>Keying</b>         | 5-pin tumbler C keyway with two keys. All F51A functions offer interior emergency exit feature.  |
| <b>Door range</b>     | 1 3/8" to 1 3/4" (35mm to 44mm) standard.  |
| <b>Backset</b>        | Fits either 2 3/8" (60mm) or 2 3/4" (70mm) backset.  |

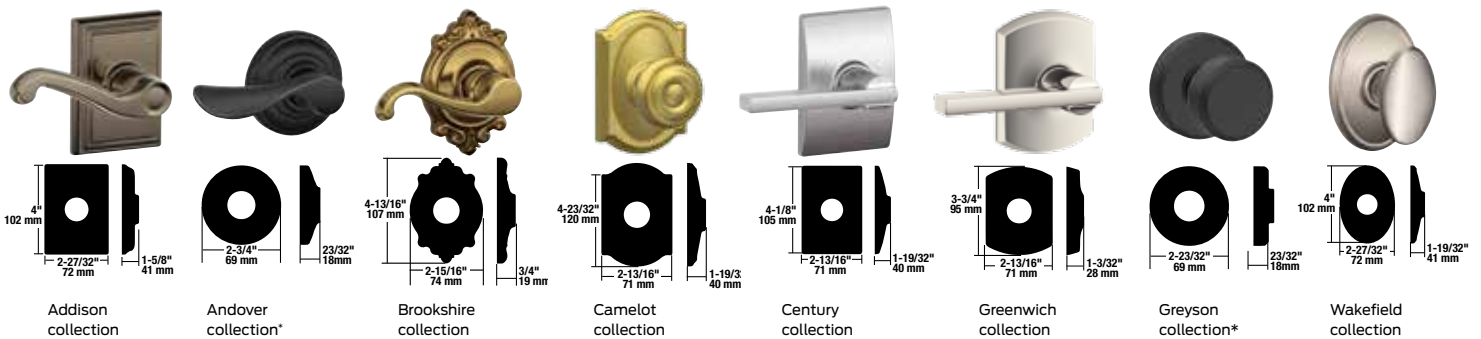


# Residential decorative trim

## Decorative Collections

Our exceptional collections are just the beginning of the expanded choices available both now and in the future — paired with lever and knob designs and finishes in a generous number of combinations to meet the style and security needs of this demanding market:

- Inspired design collections ranging from traditional to contemporary
- Numerous distinctive finishes to choose from
- Pair with your choice of complementing Schlage handlesets
- Solid die-cast construction for durability



\*Features concealed screws

## Finishes

| Knobs         | 605 | 608 | 609 | 613 | 618 | 619 | 620 | 621 | 622 | 625 | 626 | 716 |
|---------------|-----|-----|-----|-----|-----|-----|-----|-----|-----|-----|-----|-----|
| Andover       | ▪   | ▪   | ▪   | ▪   | ▪   | ▪   | ▪   | ▪   | ▪   | ▪   | ▪   | ▪   |
| Bell          | ▪   | ▪   | ▪   | ▪   | ▪   | ▪   | ▪   | ▪   | ▪   | ▪   | ▪   | ▪   |
| Bowery        | ▪   | ▪   | ▪   | ▪   | ▪   | ▪   | ▪   | ▪   | ▪   | ▪   | ▪   | ▪   |
| Georgian      | ▪   | ▪   | ▪   | ▪   | ▪   | ▪   | ▪   | ▪   | ▪   | ▪   | ▪   | ▪   |
| Orbit         | ▪   | ▪   | ▪   | ▪   | ▪   | ▪   | ▪   | ▪   | ▪   | ▪   | ▪   | ▪   |
| Plymouth      | ▪   | ▪   | ▪   | ▪   | ▪   | ▪   | ▪   | ▪   | ▪   | ▪   | ▪   | ▪   |
| Siena         | ▪   | ▪   | ▪   | ▪   | ▪   | ▪   | ▪   | ▪   | ▪   | ▪   | ▪   | ▪   |
| <b>Levers</b> |     |     |     |     |     |     |     |     |     |     |     |     |
| Accent        | ▪   | ▪   | ▪   | ▪   | ▪   | ▪   | ▪   | ▪   | ▪   | ▪   | ▪   | ▪   |
| Avanti        | ▪   | ▪   | ▪   | ▪   | ▪   | ▪   | ▪   | ▪   | ▪   | ▪   | ▪   | ▪   |
| Avila         | ▪   | ▪   | ▪   | ▪   | ▪   | ▪   | ▪   | ▪   | ▪   | ▪   | ▪   | ▪   |
| Birmingham    | ▪   | ▪   | ▪   | ▪   | ▪   | ▪   | ▪   | ▪   | ▪   | ▪   | ▪   | ▪   |
| Broadway      | ▪   | ▪   | ▪   | ▪   | ▪   | ▪   | ▪   | ▪   | ▪   | ▪   | ▪   | ▪   |
| Callington    | ▪   | ▪   | ▪   | ▪   | ▪   | ▪   | ▪   | ▪   | ▪   | ▪   | ▪   | ▪   |
| Champagne     | ▪   | ▪   | ▪   | ▪   | ▪   | ▪   | ▪   | ▪   | ▪   | ▪   | ▪   | ▪   |
| Elan          | ▪   | ▪   | ▪   | ▪   | ▪   | ▪   | ▪   | ▪   | ▪   | ▪   | ▪   | ▪   |
| Flair         | ▪   | ▪   | ▪   | ▪   | ▪   | ▪   | ▪   | ▪   | ▪   | ▪   | ▪   | ▪   |
| Jazz          | ▪   | ▪   | ▪   | ▪   | ▪   | ▪   | ▪   | ▪   | ▪   | ▪   | ▪   | ▪   |
| Latitude      | ▪   | ▪   | ▪   | ▪   | ▪   | ▪   | ▪   | ▪   | ▪   | ▪   | ▪   | ▪   |
| Manhattan     | ▪   | ▪   | ▪   | ▪   | ▪   | ▪   | ▪   | ▪   | ▪   | ▪   | ▪   | ▪   |
| Merano        | ▪   | ▪   | ▪   | ▪   | ▪   | ▪   | ▪   | ▪   | ▪   | ▪   | ▪   | ▪   |
| Sacramento    | ▪   | ▪   | ▪   | ▪   | ▪   | ▪   | ▪   | ▪   | ▪   | ▪   | ▪   | ▪   |
| St. Annes     | ▪   | ▪   | ▪   | ▪   | ▪   | ▪   | ▪   | ▪   | ▪   | ▪   | ▪   | ▪   |

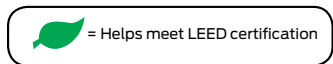
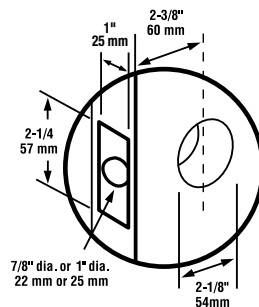
## Knobs and levers - Decorative Collection

|            | 605 | 608 | 609 | 613 | 618 | 619 | 620 | 621 | 622 | 625 | 626 | 716 |
|------------|-----|-----|-----|-----|-----|-----|-----|-----|-----|-----|-----|-----|
| Addison    | ▪   | ▪   | ▪   | ▪   | ▪   | ▪   | ▪   | ▪   | ▪   | ▪   | ▪   | ▪   |
| Andover    | ▪   | ▪   | ▪   | ▪   | ▪   | ▪   | ▪   | ▪   | ▪   | ▪   | ▪   | ▪   |
| Brookshire | ▪   | ▪   | ▪   | ▪   | ▪   | ▪   | ▪   | ▪   | ▪   | ▪   | ▪   | ▪   |
| Camelot    | ▪   | ▪   | ▪   | ▪   | ▪   | ▪   | ▪   | ▪   | ▪   | ▪   | ▪   | ▪   |
| Century    | ▪   | ▪   | ▪   | ▪   | ▪   | ▪   | ▪   | ▪   | ▪   | ▪   | ▪   | ▪   |
| Greenwich  | ▪   | ▪   | ▪   | ▪   | ▪   | ▪   | ▪   | ▪   | ▪   | ▪   | ▪   | ▪   |
| Greyson    | ▪   | ▪   | ▪   | ▪   | ▪   | ▪   | ▪   | ▪   | ▪   | ▪   | ▪   | ▪   |
| Wakefield  | ▪   | ▪   | ▪   | ▪   | ▪   | ▪   | ▪   | ▪   | ▪   | ▪   | ▪   | ▪   |

## Deadbolts - Decorative Collection

|            | 505 | 605 | 608 | 609 | 613 | 618 | 619 | 620 | 621 | 622 | 625 | 626 | 716 |
|------------|-----|-----|-----|-----|-----|-----|-----|-----|-----|-----|-----|-----|-----|
| Addison    | ▪   | ▪   | ▪   | ▪   | ▪   | ▪   | ▪   | ▪   | ▪   | ▪   | ▪   | ▪   | ▪   |
| Brookshire | ▪   | ▪   | ▪   | ▪   | ▪   | ▪   | ▪   | ▪   | ▪   | ▪   | ▪   | ▪   | ▪   |
| Camelot    | ▪   | ▪   | ▪   | ▪   | ▪   | ▪   | ▪   | ▪   | ▪   | ▪   | ▪   | ▪   | ▪   |
| Century    | ▪   | ▪   | ▪   | ▪   | ▪   | ▪   | ▪   | ▪   | ▪   | ▪   | ▪   | ▪   | ▪   |
| Greenwich  | ▪   | ▪   | ▪   | ▪   | ▪   | ▪   | ▪   | ▪   | ▪   | ▪   | ▪   | ▪   | ▪   |
| Wakefield  | ▪   | ▪   | ▪   | ▪   | ▪   | ▪   | ▪   | ▪   | ▪   | ▪   | ▪   | ▪   | ▪   |

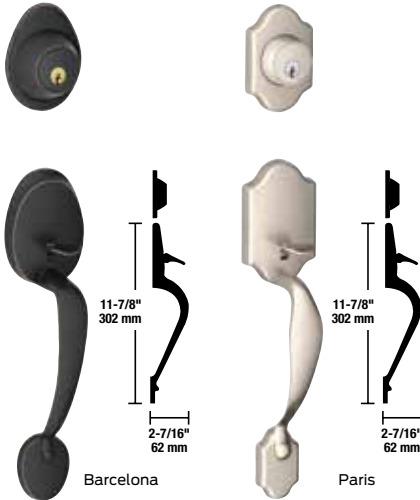
## Door Preparation





## Residential J Series

### Grade 3 Handleset/deadbolt designs



#### Handleset specifications

|                       |  |
|-----------------------|--|
| <b>Applications</b>   | Residential single-family and multi-family use   |
| <b>Certifications</b> | ANSI A156.5, 2001, Grade 3.  |
| <b>Exposed trim</b>   | Handlesets are zinc-based; plated to match finishes indicated.   |
| <b>Keying</b>         | Schlage C keyway with two brass keys. Locks are keyed 5-pin.   |
| <b>Door Range</b>     | 1 <sup>3</sup> / <sub>8</sub> " to 1 <sup>3</sup> / <sub>4</sub> " (35mm to 44mm) standard.                                      |
| <b>Backset</b>        | Universal latch standard, fits either 2 <sup>3</sup> / <sub>8</sub> " (60mm) or 2 <sup>3</sup> / <sub>4</sub> " (70mm) backsets. |
| <b>Warranty</b>       | Limited lifetime mechanical warranty, five-year finish warranty.   |
| <b>UL Listing</b>     | Single cylinder deadbolt/handleset available with UL Listing - box pack only.  |

#### Latches and strikes

**Latches:** 1" x 2<sup>1</sup>/<sub>4</sub>" (25 mm x 57 mm), 1/2" (13 mm) throw standard. Dual option faceplates including 1<sup>1</sup>/<sub>8</sub>" (29 mm) round corner and circular drive-in are standard for passage and privacy functions. Keyed functions also come with 1<sup>1</sup>/<sub>8</sub>" (29 mm) square corner faceplates standard, in addition to round corner and circular drive-in. 1<sup>1</sup>/<sub>8</sub>" (29 mm) faceplate adaptors available.

**Strikes:** Full lip, 1<sup>5</sup>/<sub>8</sub>" x 2<sup>1</sup>/<sub>4</sub>" (41mm x 57mm), 1<sup>1</sup>/<sub>8</sub>" (29mm) lip, #10-026, standard. Optional strikes: full lip, 1/4" (6mm) radius round corner; circular drive-in, ANSI 1<sup>1</sup>/<sub>4</sub>" x 4<sup>7</sup>/<sub>8</sub>" (32mm x 124mm), 1<sup>3</sup>/<sub>16</sub>" (30mm) lip. UL Listed locks are furnished with #10-001 T strike, 1<sup>1</sup>/<sub>8</sub>" x 2<sup>3</sup>/<sub>4</sub>" (29mm x 70mm), 1<sup>1</sup>/<sub>8</sub>" (29mm) lip (also available with standard product).



JD60  
JD Series single cylinder



JD80  
JD Series one-sided deadbolt



JD81  
JD Series one-sided deadbolt  
w/ exterior plate

#### Deadbolt specifications

|                      |  |
|----------------------|--|
| <b>Applications</b>  | Residential single-family and multi-family use   |
| <b>Certification</b> | ANSI A156.5, 2001 Grade 3.   |
| <b>Exposed trim</b>  | Wrought brass or bronze.   |
| <b>Keying</b>        | Schlage C keyway with two brass keys. Locks are keyed 5-pin.   |
| <b>Door range</b>    | 1 <sup>3</sup> / <sub>8</sub> " to 1 <sup>3</sup> / <sub>4</sub> " (35mm to 44mm) standard.                                      |
| <b>Backset</b>       | Universal latch standard, fits either 2 <sup>3</sup> / <sub>8</sub> " (60mm) or 2 <sup>3</sup> / <sub>4</sub> " (70mm) backsets. |
| <b>Warranty</b>      | Limited lifetime mechanical warranty, five-year finish warranty.   |
| <b>UL Listing</b>    | Single cylinder deadbolt product available with UL Listing - box pack only.  |

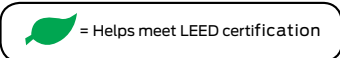
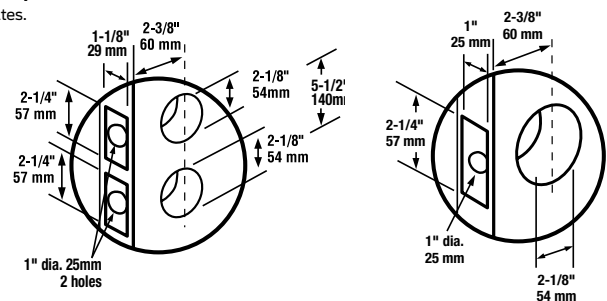
#### Finishes

| Handlesets | 605 | 608 | 609 | 618 | 619 | 620 | 622 | 625 | 630 | 716 |
|------------|-----|-----|-----|-----|-----|-----|-----|-----|-----|-----|
| Barcelona  | ■   | ■   | ■   | ■   | ■   | ■   | ■   | ■   | ■   | ■   |
| Paris      | ■   | ■   | ■   | ■   | ■   | ■   | ■   | ■   | ■   | ■   |
| Deadbolts  |     |     |     |     |     |     |     |     |     |     |
| JD60       | ■   | ■   | ■   | ■   | ■   | ■   | ■   | ■   | ■   | ■   |
| JD80       | ■   | ■   | ■   | ■   | ■   | ■   | ■   | ■   | ■   | ■   |
| JD81       | ■   | ■   | ■   | ■   | ■   | ■   | ■   | ■   | ■   | ■   |

\*Discontinued; available while supplies last

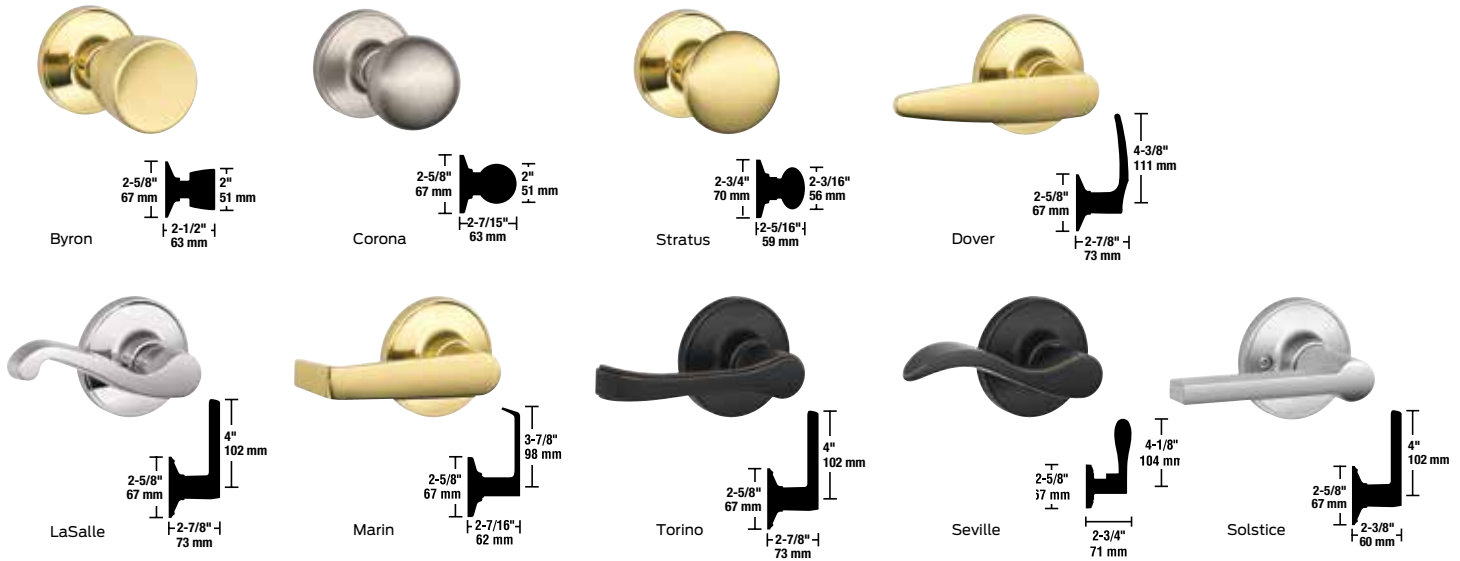
#### Door preparation

See templates.



# Residential J Series

## Grade 3 Knob/lever designs



Dover, Marin and Torino lever designs are non-handed. LaSalle and Seville are reversible.

### Specifications

|                |  |
|----------------|--|
| Applications   | Residential single-family and multi-family use   |
| Certifications | ANSI A156.2, 1996, Series 4000 Grade 3.  |
| Exposed trim   | Levers are zinc-based; plated to match finishes indicated. Knobs are brass or stainless steel; plated to match finishes indicated. |
| Keying         | 5-pin tumbler Schlage C keyway with two brass keys.  |
| Door range     | 1 <sup>3</sup> / <sub>8</sub> " to 1 <sup>3</sup> / <sub>4</sub> " (35mm to 44mm) standard.  |
| Backset        | Universal latch standard, fits either 2 <sup>3</sup> / <sub>8</sub> " (60mm) or 2 <sup>3</sup> / <sub>4</sub> " (70mm) backsets.   |
| UL listing     | Knobs/levers available with UL listing. Box pack only.   |

### Finishes

| Knobs         | 605 | 609 | 619 | 620 | 625 | 626 | 630 | 716 |
|---------------|-----|-----|-----|-----|-----|-----|-----|-----|
| Byron         | ■   | ■   |     |     |     |     | ■   |     |
| Corona        | ■   | ■   | ■   | ■   | ■   |     | ■   | ■   |
| Stratus       | ■   | ■   | ■   |     | ■   |     | ■   | ■   |
| Dover         | ■   | ●   |     |     |     |     | ■   |     |
| <b>Levers</b> |     |     |     |     |     |     |     |     |
| LaSalle       | ■   | ■   | ■   |     |     |     |     | ■   |
| Marin         |     |     | ■   |     |     |     | ■   |     |
| Torino        | ■   | ■   | ■   | ●   | ■   |     | ■   | ■   |
| Seville       | ■   | ■   | ■   |     | ■   |     | ■   | ■   |
| Solstice      |     |     | ■   |     | ■   | ■   |     | ■   |

● Discontinued; available while supplies last

### Standard features

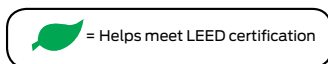
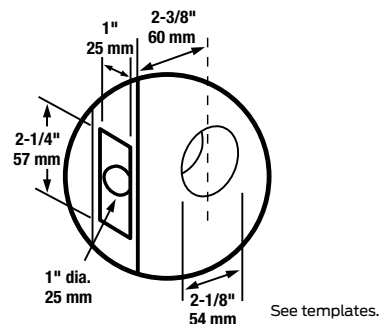
- Limited lifetime mechanical warranty, five-year finish warranty
- Schlage C keyways can be keyed to Schlage locks for one-key convenience

### Latches and strikes

**Latches:** 1" x 2<sup>1</sup>/<sub>4</sub>" (25 mm x 57 mm), 1/2" (13 mm) throw standard. Dual option faceplates, including 1<sup>1</sup>/<sub>8</sub>" (29 mm) round corner and circular drive-in, are standard for passage and privacy functions. Keyed functions also come with 1<sup>1</sup>/<sub>8</sub>" (29 mm) square corner faceplates standard, in addition to round corner and circular drive-in. 1<sup>1</sup>/<sub>8</sub>" (29 mm) faceplate adaptors available.

**Strikes:** Full lip, 1<sup>5</sup>/<sub>8</sub>" x 2<sup>1</sup>/<sub>4</sub>" (41mm x 57mm), 1<sup>1</sup>/<sub>8</sub>" (29mm) lip, #10-026, standard. Optional strikes: full lip, 1/4" (6mm) radius round corner; circular drive-in, ANSI 1<sup>1</sup>/<sub>4</sub>" x 4<sup>7</sup>/<sub>8</sub>" (32mm x 124mm), 1<sup>3</sup>/<sub>16</sub>" (30mm) lip. UL Listed locks are furnished with #10-001 T strike, 1<sup>1</sup>/<sub>8</sub>" x 2<sup>3</sup>/<sub>4</sub>" (29mm x 70mm), 1<sup>1</sup>/<sub>8</sub>" (29mm) lip (also available with standard product).

### Door preparation





## Multi-family programmable electronic deadbolt



BE367 Series  
Plymouth



BE367 Series  
Camelot

### Benefits

- Eliminates deadbolt replacement and re-keying costs
- Reduces key management costs
- Prevents unauthorized key duplication
- Improves building security
- Increases property value
- Potential new revenue streams

### Standard features

- Time and date controlled access
- Easy to install – fits on standard residential door preps
- Vandal resistant free-spinning deadbolt turn
- Up to 500 users
- Audit trail reports up to 1,000 events
- Battery powered – no wiring required
- Average 3-year battery life
- Low battery warning
- iButton credential required (sold separately)
- Hidden back-up mechanical key override

### Finishes



505/605  
Bright brass



609  
Antique brass



613  
Oil rubbed bronze



619  
Satin nickel



620  
Antique pewter



625  
Bright chrome



626  
Satin chrome

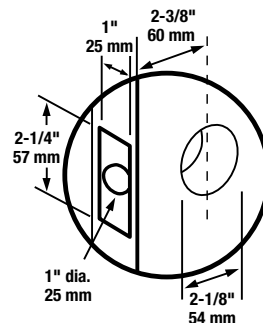


716  
Aged bronze

### Specifications

|                |   |
|----------------|---|
| Latch          | 1" x 2 1/4" (25mm x 57mm) radius corner faceplate; 1" (25mm) housing diameter requires 1" (25mm) edge bore; 1" (25mm) throw with Triple Option™ square corner, radius corner and circular drive-in faceplates |
| Strikes        | 1 1/8" x 2 3/4" (29mm x 70mm), square corner, strike reinforcer   |
| Backset        | Adjustable backset, fits 2 3/8" to 2 3/4" (60mm - 70mm) backsets  |
| Cylinder       | 5-pin, keyed 5-pin, C keyway, keyed different (KD)  |
| Door range     | 1 3/8" to 1 3/4" (35mm - 44mm), thick door kit available for up to 2 1/2" (64mm)  |
| Keys           | 5-pin, C-section  |
| Hole distance  | Minimum 5 1/2" (140mm) center-to-center distance between cross bore holes   |
| Battery        | 9-volt battery included   |
| Construction   | All-metal chassis and escutcheons   |
| Button         | Silicone rubber, wear-resistant with LED backlight  |
| Certifications | Available 3 hr. and 20 min. UL Listed; A 156.5-2001 Grade 2 auxiliary locks or Grade 2 ANSI/BHMA certified; FCC Part 15; CE mark  |

### Door preparation





## Multi-family electronic interconnect lock



FE210 F  
Camelot

### Benefits

- Eliminates deadbolt replacement and re-keying costs
- Reduces key management costs
- Prevents unauthorized key duplication
- Improves building security
- Increases property value
- Potential new revenue streams

### Standard features

- Interconnect mechanism is adjustable
- Lever trim is non-handed and field reversible
- Grade 2
- UL 3-hour rating available
- Time and date controlled access
- Easy to install – fits on standard residential door preps
- Vandal resistant free-spinning deadbolt turn
- Up to 500 users
- Audit trail reports up to 1,000 events
- Battery powered – no wiring required
- Average 3-year battery life
- Low battery warning
- iButton credential required (sold separately)
- Hidden back-up mechanical key override

### Finishes



505/605  
Bright brass



609  
Antique brass



619  
Satin nickel



625  
Bright chrome



626  
Satin chrome

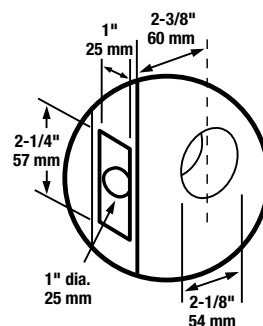


716  
Aged bronze

### Specifications

|                  |  |
|------------------|--|
| ANSI/BHMA        | Grade 2 certified  |
| UL rating        | UL 3-hour rating available   |
| Latch            | UL latch comes with 1" x 2 1/4" square and round corner face plans (square corner standard, round corner included in package. 1" edge bore required) |
| Strikes          | 1 1/8" x 2 3/4" square corner deadbolt strikes and 2 1/4" x 1 5/8" square corner full lip latch strikes reinforcer. Dust box not included.           |
| Backset          | Adjustable backset, fits 2 3/8" or 2 3/4" backsets   |
| Levers           | All lever trim is non-handed and field reversible  |
| Stile width      | Minimum 4 1/2" for 2 3/8" backset, minimum 5" stile for 2 3/4"   |
| Return to door   | Saturn (SAT) and Neptune (NEP) are return to door code compliant   |
| Cylinder         | 5-pin solid brass, layered 5-pin, C keyway, keyed different (KD)   |
| Keys             | 5-pin, C section   |
| Door range       | 1 3/8" to 1 3/4" standard. 1 3/4" to 2" optional. Must be specified.   |
| Center to center | Fits 4" or 5 1/2" center to center door preps  |
| Battery          | 9V battery included  |
| Credential       | Deadbolt is operated using iButton credential (sold separately)  |

### Door preparation





## Multi-family readers and credentials

All the tools you need to manage every opening in your building.



### Credential readers

- Accommodates interior, exterior, metal and metal installation environments
- Recognizes most proximity credentials, magnetic stripe, proximity, and smart credentials including aptiQ MIFARE Classic and MIFARE DESFire EV1 credentials
- FIPS 201-1 compliant
- NFC compatible
- Quick-connect wiring harness for easy installation
- Simple wiring - color scheme is identical to most readers
- Easy-to-install mounting bracket
- Tri-state LED
- Wiegand output
- Multiple reader cover color options
- Limited lifetime warranty



### Credentials

- User/resident credentials
  - Over three billion code combinations
  - Cannot be duplicated
- Programming credentials
  - Required for lock programming
- Construction credentials
  - Used during construction; operates all electronic locks that haven't been programmed
- Vendor credentials
  - Used to allow temporary access to employees and vendors in conjunction with the Schlage vendor access management system software with Schlage access software

### IBF-110

- Proximity Keyfob
  - 125 KHz proximity technology
- iButton
  - Durable stainless-steel packaging
  - Unique factory programmed 64-bit registration number
  - Momentary contact initiates identification
  - Data transfer rate of up to 16.3kbps

### IBF-120

- Proximity Keyfob
  - 125 KHz proximity technology
- iButton
  - The iButton credential is a read-write credential
  - When used with a preferred third-party software provider, the Schlage Programmable Electronic Deadbolt (BE367) and Schlage Electronic Interconnect Lock (FE210) are non-touring capable with the iButton credential
  - Durable stainless-steel packaging
  - Unique factory programmed 64-bit registration number
  - Momentary contact initiates identification
  - Data transfer rate of up to 16.3kbps

## Mechanical interconnected locks



The CS210F mechanical interconnected locks provide panic-free, single motion egress and comply with the requirements of the National Fire Protection Association (NFPA) codes and local building codes.

To meet the demands of residents, the mechanical interconnect is available with several new features:

- Both the CS210F accept a variety of commercial and all residential levers, to provide never before available suiting options for our Schlage interconnected product line
- Available in split lever designs and finishes
- Select levers are code-compliant with return to door requirements and meet ADA requirements
- The interconnect mechanism is adjustable to 4 and 5½ door preparations
- Available with removable core and restricted keyways
- I/C core availability
- Limited lifetime mechanical warranty

### Benefits

- Single motion egress meets life and safety code requirements
- Ideal for both new construction and renovation/aftermarket projects
- Easy to install, fits standard door preparations

### Markets

- Apartment communities
- Assisted living communities
- Student housing
- Light commercial
- Single family condominiums and town homes

### Finishes



505/605  
Bright brass



609  
Antique brass



619  
Satin nickel



625  
Bright chrome



626  
Satin chrome

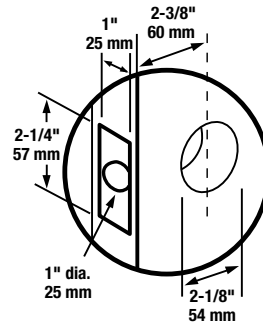


716/643e  
Aged bronze

### Specifications

|                  |   |
|------------------|---|
| ANSI/BHMA        | Grade 2 certified   |
| UL rating        | UL 3-hour rating is standard  |
| Latch            | UL latch comes with 1" x 2¼" square and round corner face plans (square corner standard, round corner included in package. 1" edge bore required. |
| Strikes          | 1½" x 2¾" square corner deadbolt strikes and 2¼" x 1⅝" square corner full lip latch strikes reinforcer. Dust box not included.                    |
| Backset          | Adjustable backset, fits 2⅜" or 2¾" backsets  |
| Levers           | All lever trim is non-handed and field reversible   |
| Stile width      | Minimum 4½" for 2⅜" backset, minimum 5" stile for 2¾"   |
| Return to door   | Saturn (SAT) and Neptune (NEP) lever styles are return to door code compliant   |
| RS210F cylinder  | 5-pin solid brass, layered 5-pin, C keyway, keyed different (KD)  |
| CS210F cylinder  | 6-pin solid brass, keyed 6-pin, C123 keyway, keyed different (KD), Keys are 6-pin, Everest S123 section.  |
| Keys             | 5-pin, C section  |
| Door range       | 1⅜" to 1¾" standard. 1¾" to 2 optional. Must be specified   |
| Center to center | Fits 4" or 5½" center to center door preps  |

### Door preparation





## B Series mechanical deadbolts

### B60 Series

Grade 1 for high-traffic residential or commercial use.

Shown: B60 single cylinder



#### Standard features

- Extra security with a full 1" (25mm) throw deadbolt with a concealed hardened steel roller to prevent cutting or sawing the bolt
- 5-minute, 3-step installation
- Anti-pick shield protects against hammer and crow bar attacks
- Available in single and double cylinder
- Available with full-sized interchangeable core (B60R, B62R)
- Limited lifetime mechanical and finish

#### Specifications

|                       |  |
|-----------------------|--|
| <b>Certifications</b> | Exceeds ANSI/BHMA certified A156.5 - 2001, Grade 1, UL Listed for 3-hour fire door (Grade 2 with FSIC)             |
| <b>Applications</b>   | Medium-traffic deadbolt, Grade 1 residential or commercial, exterior, new construction and retrofit applications   |
| <b>Deadbolt</b>       | 1" x 2 1/4" (25mm x 57mm), square and round corner faceplate included, 1" (25mm) housing diameter, 1" (25mm) throw |

### B60R6 Series

Grade 2 for medium-traffic commercial and residential use.



#### Standard features

- Interchangeable core allows for quicker rekeying in multi-family applications
- ANSI/BHMA Grade 2 Product Performance
- Increased latch/bolt size offers maximum kick-in resistance
- 3 piece assembly
- Temporary construction cores may be ordered with full size interchangeable core locks, mortise cylinders and rim cylinders

#### Specifications

|                       |  |
|-----------------------|--|
| <b>Certifications</b> | ANSI/BHMA A156.36, 2010, Grade 2   |
| <b>Applications</b>   | Multi-family doors   |
| <b>Deadbolt</b>       | 1" x 2 1/4" (25mm x 57mm), square and round corner faceplate included, 1" (25mm) housing diameter, 1" (25mm) throw |

### Finishes

| Series | 505 | 605<br>US3 | 606<br>US4 | 608 | 609<br>US5 | 612<br>US10 | 613<br>US10B | 618<br>US14 | 619<br>US15 | 620<br>US15A | 621<br>US17A | 622<br>US19 | 625<br>US26 | 626<br>US26D | 643/716<br>US11 |
|--------|-----|------------|------------|-----|------------|-------------|--------------|-------------|-------------|--------------|--------------|-------------|-------------|--------------|-----------------|
| B60    | ▪   | ▪          | ▪          | ▪   | ▪          | ▪           | ▪            | ▪           | ▪           | ▪            | ▪            | ▪           | ▪           | ▪            | ▪               |
| B250   |     |            |            |     |            |             |              |             |             |              |              |             |             |              |                 |
| B60R6  |     |            |            |     |            |             |              |             |             |              |              |             |             |              |                 |

### B250 Series

Grade 2 for medium-traffic commercial and residential use.

Shown: B250PD deadlatch



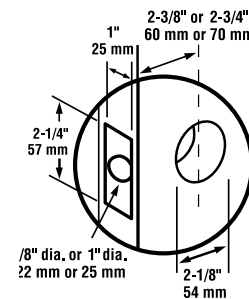
#### Standard features

- Ideally suited for pool, condominium gates and utility panels
- Concealed wood frame reinforcer protects from kick-in attacks
- Holdback feature keeps the deadlatch in a retracted position
- Available in single and double cylinder
- Limited lifetime mechanical and finish

#### Specifications

|                        |  |
|------------------------|--|
| <b>Applications</b>    | High-traffic deadlatch, Grade 2 commercial exterior, new construction and retrofit applications        |
| <b>Deadbolt</b>        | 1 1/8" x 2 1/4" (29mm x 57mm), square corner faceplate, 1" (25mm) housing diameter, 9/16" (14mm) throw |
| <b>Standard strike</b> | 1 1/8" x 2 3/4" (29mm x 70mm), square corner, box  |

### Door preparation



= Antimicrobial coating available on select finishes
 = High-traffic applications
 = BHMA certified
 = ANSI tested
 = Medium-traffic applications
 = Helps meet LEED certification
 = UL and/or cUL Listed

# B Series mechanical deadbolts

## B500 Series

Grade 2 for medium-traffic commercial and residential use.

Shown: B560P single cylinder



### Standard features

- Higher security - 10 percent larger diameter deadbolt
- Tougher performance - seamless steel construction from beginning of latch to back of bolt
- Installation versatility - adjustable backset with lock-in-place helix design
- Available in single and double cylinder†
- Limited lifetime mechanical and finish

### Specifications

|                 |  |
|-----------------|--|
| Applications    | High-traffic deadlatch, Grade 2 commercial exterior, new construction and retrofit applications        |
| Deadlatch       | 1 1/8" x 2 1/4" (29mm x 57mm), square corner faceplate, 1" (25mm) housing diameter, 9/16" (14mm) throw |
| Standard strike | 1 1/8" x 2 3/4" (29mm x 70mm), square corner, box  |

†Patented Primus® XP high security cylinders available.

## B600, B700, B800 Series

Grade 1 for high-traffic commercial use.

Shown: B660P single cylinder



### Standard features

- Solid brass or bronze rotating trim rings
- Hardened steel balls protect mounting bolts from drill attack
- Available in single and double cylinder†
- Limited lifetime mechanical and finish

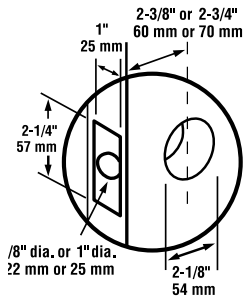
### Specifications

|                 |   |
|-----------------|---|
| Applications    | High traffic deadbolt, Grade 1 commercial exterior, new construction and retrofit applications      |
| Deadbolt        | 1 1/8" x 2 1/4" (29mm x 57mm), square corner faceplate, 1" (25mm) housing diameter, 1" (25mm) throw |
| Standard strike | 1 1/8" x 2 3/4" (29mm x 70mm), square corner, box   |

## Finishes

| Series | 505 | 605<br>US3 | 606<br>US4 | 608 | 609<br>US5 | 612<br>US10 | 613<br>US10B | 618<br>US14 | 619<br>US15 | 620<br>US15A | 621<br>US17A | 622<br>US19 | 625<br>US26 | 626<br>US26D | 643/716<br>US11 |
|--------|-----|------------|------------|-----|------------|-------------|--------------|-------------|-------------|--------------|--------------|-------------|-------------|--------------|-----------------|
| B500   | ▪   | ▪          | ▪          | ▪   | ▪          | ▪           | ▪            | ▪           | ▪           | ▪            | ▪            | ▪           | ▪           | ▪            | 643             |
| B600   | ▪   | ▪          | ▪          | ▪   | ▪          | ▪           | ▪            | ▪           | ▪           | ▪            | ▪            | ▪           | ▪           | ▪            | 643             |

## Door preparation



= Antimicrobial coating available on select finishes
 = High-traffic applications
 = BHMA certified
 = ANSI tested
 = Medium-traffic applications
 = Helps meet LEED certification
 = UL and/or cUL Listed



## Builders hardware

### Interior hardware



#### 61 Solid door stop

- Made from aluminum or brass
- Projection: 3 3/16" on aluminum units
- Finishes: A3, A5, A15, A14, A26D, A716, A-W, US3, US5, US15, US26, US26D, US716



#### 63 Flex door stop

- Made from steel
- Projection: 3"
- Finishes: F3, F5, F15, F26D, F716, US3, US5, US15, US26D, US716



#### 221 Flush pull

- Made from wrought brass
- Inside cup diameter: 2 1/8"; overall diameter: 2 7/16" depth: 7/16"
- Finishes: B3, B716, B5, B14, B15, US3, US716 US5, US14, US15



#### 262 and 265 manual flush bolt

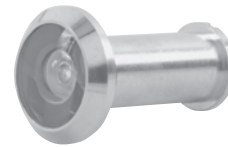
- Made from solid brass
- Dimension: 6" x 3/4"
- Finishes: B3, B5, B26, B26D, B716, US3, US5, US26, US26D, US716

### Exterior hardware



#### U700 Eye viewer

- 120° angle of view
- For doors 1 3/8" to 2 1/16" thick
- UL Listed for use on fire door assemblies rated at 90 minutes
- Finishes: B4, B26D, B10B, US4, US26D, US10B



#### U698 Eye viewer

- 190° angle of view
- For doors 1 3/8" to 2 1/8" thick
- U698 is UL Listed for use on fire door assemblies rated at 90 minutes
- Finishes: B3, B26, B10B, US3, US26, US10B

#### 8400 — Residential grade kick plates

- .037 gauge



#### Finishes Sizes

| Finishes | Sizes                        |
|----------|------------------------------|
| PA3      | 6" x 30", 6" x 34", 8" x 34" |
| PA619    | 6" x 30", 6" x 34", 8" x 34" |
| PA28     | 6" x 30", 6" x 34", 8" x 34" |
| PA716    | 6" x 30", 6" x 34", 8" x 34" |



#### 601/620 Mail slots

- 11" x 2" opening
- Finishes: B3, B5, 626, B15, B26, B716, PA28, US3, US5, US26D, US15, US26, US716, US28



## Builders hardware



### 059 Hand rail bracket

- Made from aluminum
- Base: 2 1/4" x 1 3/8"
- Finishes: A3, A5, A14, A15, A26D, A716, US3, US5, US15, US26, US26D, US716



### 59 Hand rail bracket

- Made from aluminum
- Brass base: 2 15/16" x 1 1/2"
- Finishes: A3, A5, A14, A15, A26D, A716, US3, US5, US15, US26, US26D, US716



### 436 Floor door stop

- Made from brass or aluminum
- Oval 1 3/4" x 2"
- Finishes: B3, B5, B15, B26, B26D, B716, PA3, PA5, PA14, PA15, PA92, PA716, US3, US5, US15, US26, US26D, US716



### 70 Hinge pin door stop

- Made from aluminum
- Removable bushings accommodate 1/4" to 5/16" diameter hinge pins
- Finishes: A3, A5, A15, A26, A26D, A716, AW, US3, US5, US15, US26, US26D, US716



### 07 Window lock

- Made from solid brass or aluminum
- Base: 1 5/16" x 2 9/16"
- Strike: 5/8" x 2 9/16"
- Finishes: aluminum-A3, A5, A14, A15, A92, AW, US3, US5, US15, US26, US26D, US716



### 026 Bar window lift

- Made from aluminum
- Base: 1 1/8" x 4"
- Finishes: B10B, B14, B15, aluminum-A3, A5, A14, A92, A5, A-716, US3, US5, US15, US26, US26D, US716



### 481 Door guard chain

- Made from brass or steel
- Meets design requirements of ANSI/BHMA A156.16
- Finishes: brass F26, F26D, F716, US3, US5, US15, US26, US26D, US716



### 990 Sliding door pull

- Made from aluminum or steel
- Doors 1 3/8" to 1 1/2"
- Size 1 3/4" x 2 1/4"
- Finishes: A3, A5, A15, A14, A92, A-716, F3, F5, F14, F92, F-716, US3, US5, US15, US26, US26D, US716



### 580 Ceiling hook

- Made from aluminum
- Base: 7/8" x 1 15/16, 2 1/4" projection
- Finishes: A3, A5, A14, A15, A26, A26D, A716, US3, US5, US15, US26, US26D, US716



### 581 Single wardrobe hook

- Made from aluminum
- Base: 1 1/4" x 1/8", 1 5/8" projection
- Finishes: A3, A5, A14, A15, A26, A26D, A716, US3, US5, US15, US26, US26D, US716



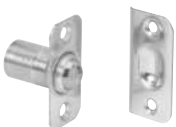
### 582 Double wardrobe hook

- Made from aluminum
- Base: 1 1/16" x 1 1/4, 1 3/32" projection
- Finishes: A3, A5, A14, A15, A26, A26D, A716, US3, US5, US15, US26, US26D, US716



### 991 Sliding door lock

- Made from aluminum or steel
- Doors: 1 3/8" to 1 1/2"
- Size: 1 3/4" x 2 1/4"
- Strike: 1" x 2 1/4"
- Finishes: A3, A5, A15, A14, A92, A-716, F3, F5, F14, F92, F-716, , US3, US5, US15, US26, US26D, US716



### 347 Ball catch

- Made from wrought brass
- Face plate: 2 1/8" x 1"
- Strike: 2 1/8" x 1 1/16"
- Finishes: B3, B5, B15, B26, B26D, B716, US3, US5, US15, US26, US26D, US716



### 349 Ball catch

- Made from wrought brass
- Face plate: 2 1/8" x 1"
- Strike: 2 1/8" x 1 3/8"
- Finishes: B3, B5, B15, B26, B26D, B716, US3, US5, US15, US26, US26D, US716



### WS407CVX Wall guard

- Made from wrought brass
- Convex rubber bumper
- Finishes: US3, US4, US5, US10, US10B, US14, US15, US26, US26D, US28, US32D



### WS407CCV Wall guard

- Made from wrought brass
- Concave rubber bumper
- Finishes: US3, US4, US5, US10, US10B, US14, US15, US26, US26D, US28, US32D

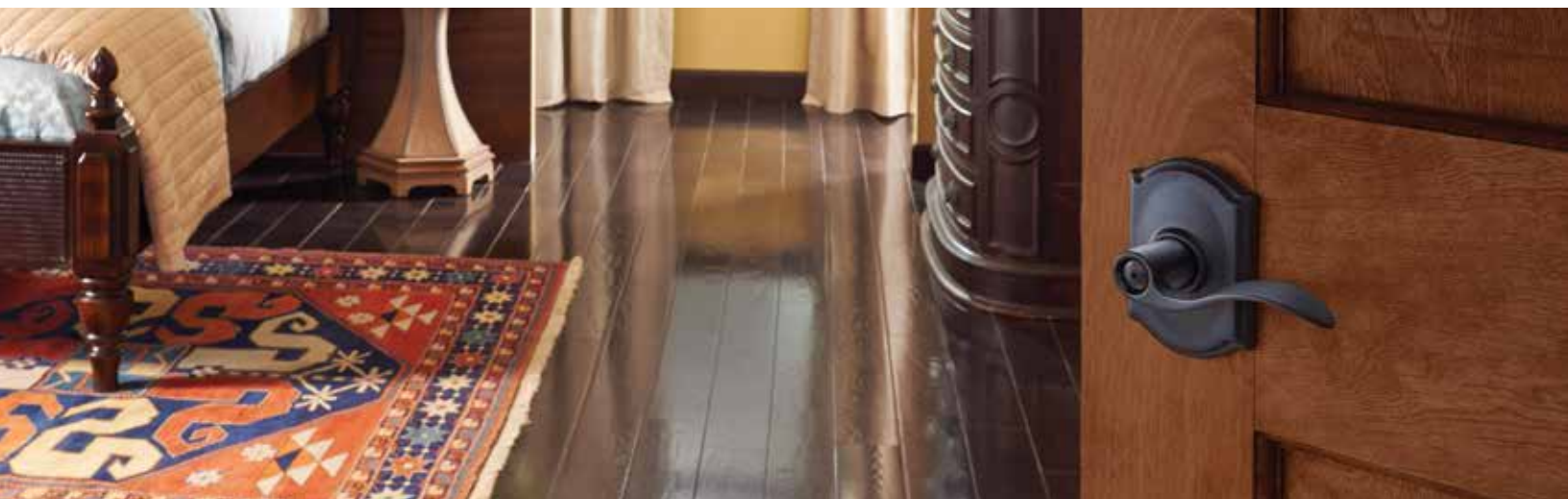


## Key to finishes

| IVES finish | ANSI/BHMA | US Number | Finish description                              | Base material     |
|-------------|-----------|-----------|---|-------------------|
| A3          | 666       | US3       | Bright brass, clear coat                        | Aluminum          |
| A5          |           | US5       | Satin brass, blackened, satin relieved          | Aluminum          |
| A10         | 668       | US10      | Satin bronze, clear coat                        | Aluminum          |
| A10B        | 703       | US10B     | Dark bronze, oil rubbed                         | Aluminum          |
| A14         | 669       | US14      | Bright nickel, clear coat                       | Aluminum          |
| A15         | 670       | US15      | Satin nickel, clear coat                        | Aluminum          |
| A19         | 671       | US19      | Flat black coated                               | Aluminum          |
| A26         | 672       | US26      | Bright chrome                                   | Aluminum          |
| A26D        | 702       | US26D     | Satin chrome                                    | Aluminum          |
| A716        |           |           | Aged bronze                                     | Aluminum          |
| A92         | 673       |           | Aluminum clear coat                             | Aluminum          |
| A-Almond    |           |           | Almond  | Aluminum          |
| A-BLK       |           |           | Black   | Aluminum          |
| A-W         |           |           | White   | Aluminum          |
| PA28        | 628       | US28      | Satin aluminum, clear anodized                  | Aluminum          |
| B3          | 605       | US3       | Bright brass, clear coat                        | Brass/bronze      |
| B4          | 606       | US4       | Satin brass, clear coat                         | Brass/bronze      |
| B5          | 609       | US5       | Satin brass, blackened, satin relieved          | Brass/bronze      |
| B9          | 611       | US9       | Bright bronze, clear coat                       | Brass/bronze      |
| B10         | 612       | US10      | Satin bronze, clear coat                        | Brass/bronze      |
| B10B        | 613       | US10B     | Dark bronze, oil rubbed                         | Brass/bronze      |
|             | 614       | US10A     | Satin bronze, relieved, clear coated            | Brass/bronze      |
|             | 616       | US11      | Satin bronze, blackened, clear coated           | Brass/bronze      |
| B14         | 618       | US14      | Bright nickel, clear coat                       |                   |
| B15         | 619       | US15      | Satin nickel, clear coat                        | Brass/bronze      |
| B15A        | 620       | US15A     | Satin nickel, blackened, satin relieved         | Brass/bronze      |
| B26         | 625       | US26      | Bright chrome                                   | Brass/bronze      |
| B26D        | 626       | US26D     | Satin chrome                                    | Brass/bronze      |
| B716        |           |           | Aged bronze                                     | Brass/bronze      |
| F2C         | 603       | US2C      | Zink plated                                     | Steel             |
| F3          | 632       | US3       | Bright brass, clear coat                        | Steel             |
| F4          | 633       | US4       | Satin brass, clear coat                         | Steel             |
| F5          | 638       | US5       | Satin brass, blackened, satin relieved          | Steel             |
| F10         | 639       | US10      | Satin bronze, clear coat                        | Steel             |
| F10B        | 640       | US10B     | Dark bronze, oil rubbed                         | Steel             |
|             | 641       | US10A     | Oxidized satin bronze, relieved, clear coated   | Steel             |
|             | 643       | US11      | Satin bronze, blackened, relieved, clear coated | Steel             |
| F14         | 645       | US14      | Bright nickel, clear coat                       | Steel             |
| F15         | 646       | US15      | Satin nickel, clear coated                      | Steel             |
| F26         | 651       | US26      | Bright chrome                                   | Steel             |
| F26D        | 652       | US26D     | Satin chrome                                    | Steel             |
|             | 664       | US27      | Satin aluminum, clear anodized aluminum         | Aluminum          |
| F716        |           |           | Aged bronze                                     | Steel             |
| F-W         |           |           | White   | Steel             |
| SP4         |           |           | Dull brass painted                              | All               |
| SP10        | 691       |           | Dull bronze painted                             | All               |
| SP28        | 689       |           | Aluminum painted                                | All               |
| SP313       | 695       |           | Dark bronze painted                             | All               |
| SPBLK       | 622       |           | Flat black                                      | All               |
| USP         | 600       | USP       | Primed for paint                                | All               |
| US32        | 629       | US32      | Bright stainless steel                          | Stainless steel   |
| US32D       | 630       | US32D     | Satin stainless steel                           | Stainless steel   |
| US32D       | 654       |           | Satin stainless steel                           | Stainless steel   |
| Z605        |           | US26      | Bright chrome                                   | Zinc              |
| Z609        |           | US5       | Satin brass, blackened, satin relieved          | Zinc              |
| Z613        |           | US10B     | Dark bronze, oil rubbed                         | Zinc              |
| Z619        |           | US15      | Bright brass, clear coated                      | Zinc              |
| Z625        |           | US26      | Bright chrome                                   | Zinc              |
| Z716        |           |           | Aged bronze                                     | Zinc              |
| Z-W         |           |           | White   | Zinc              |
| BLK         |           |           | Black   | Rubber or plastic |
| WHT         |           |           | White   | Rubber or plastic |
| GRY         |           |           | Grey  | Rubber            |
| TAN         |           |           | Tan   | Rubber            |
| BRN         |           |           | Brown   | Rubber            |



Schlage® makes **distinctive** door hardware designed not just to match your personal style, but to welcome you home.



## About Allegion

Allegion (NYSE: ALLE) creates peace of mind by pioneering safety and security. As a \$2 billion provider of security solutions for homes and businesses, Allegion employs more than 8,000 people and sells products in more than 120 countries across the world. Allegion comprises 27 global brands, including strategic brands CISA®, Interflex®, LCN®, Schlage® and Von Duprin®. For more, visit [www.allegion.com](http://www.allegion.com)

*aptiQ* ■ LCN ■ **SCHLAGE** ■ STEELCRAFT ■ VON DUPRIN